

Multitenant: Common vs Local

Presenter:

Uwe Hesse

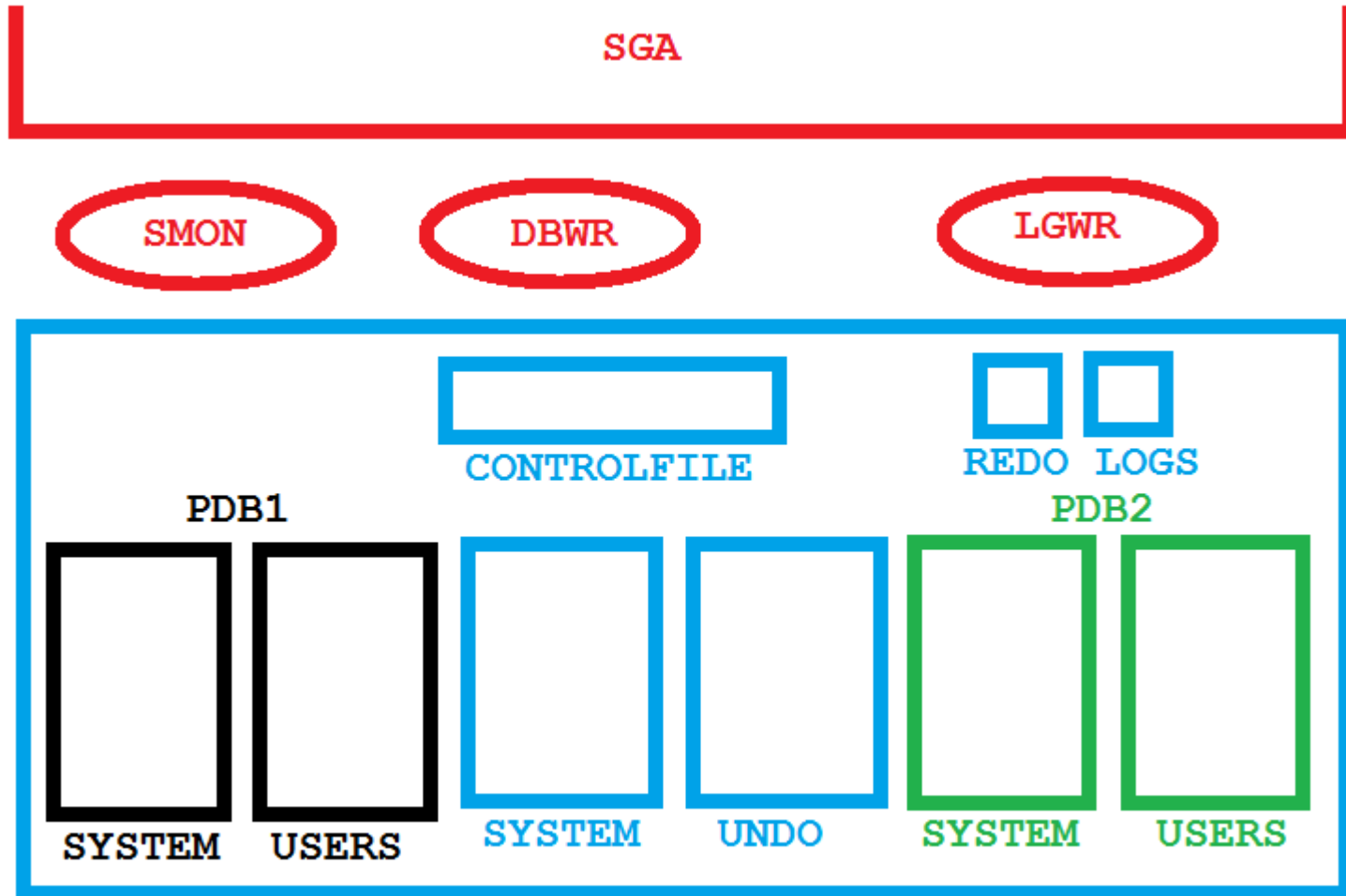
Senior Principal Instructor **Oracle** University



Website: uhesse.com

Twitter Handle: [@UweHesse](https://twitter.com/UweHesse)

The Big Picture



Dictionary View Changes

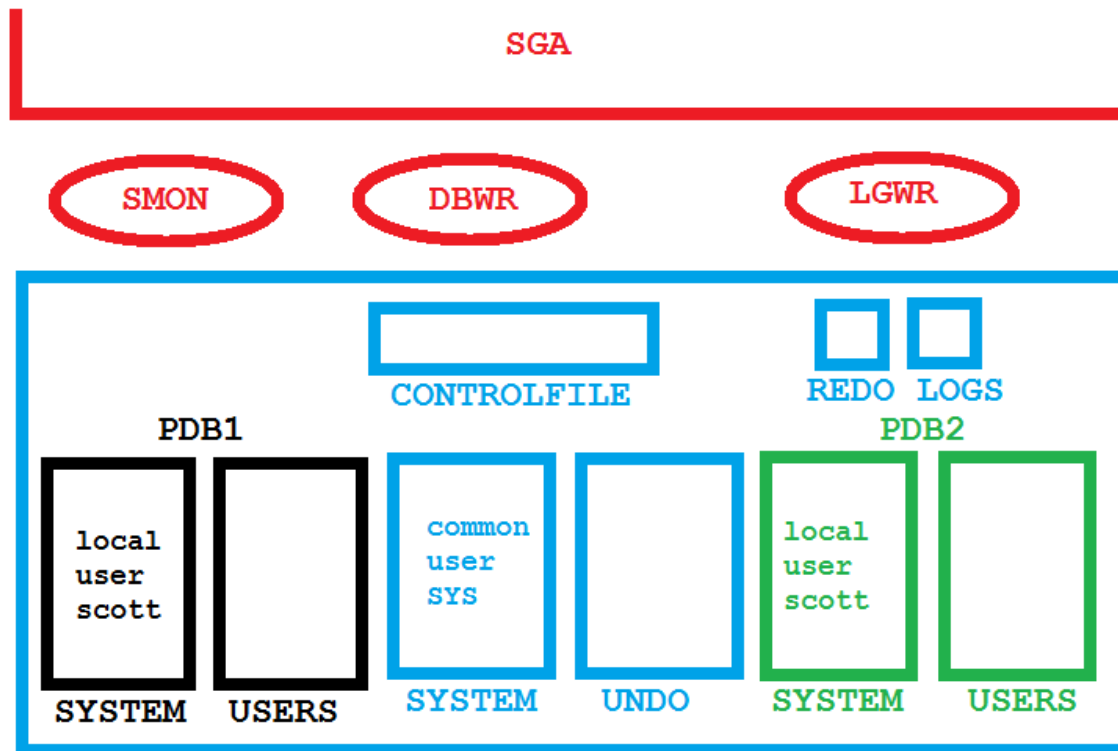
V\$PDBS

CON_ID in all V\$VIEWS

COMMON in DBA_USERS

CDB_USERS

Common vs Local



Local Users

No changes here!

Common users

This is what enables the new architecture

[Use case](#) for DBAs creating common users

Conclusion

Keep it simple

Common users are for internal purpose in the first place